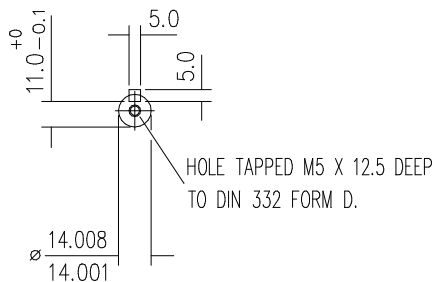
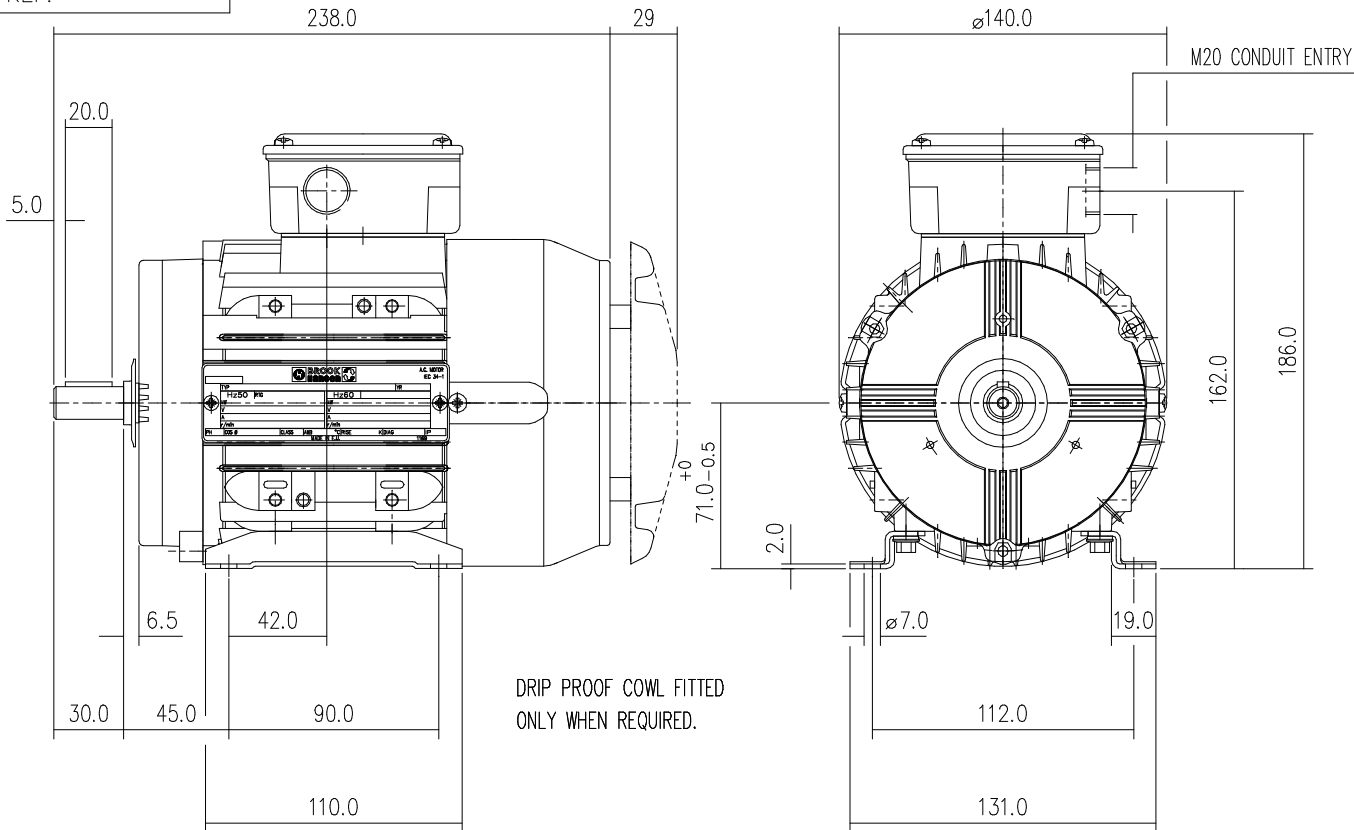


DRG. No. D71GF000/1  
 DRG. REF.



TERMINAL BOX CAN BE ARRANGED IN 9 OR 6 O-CLOCK POSITIONS.  
 CONDUIT ENTRY CAN BE ARRANGED IN 4 ALTERNATIVE POSITIONS.

CUSTOMER		
ORDER No.		
PART No.		
OUR ORDER No.		
FRAME SIZE		
KW.	RPM.	
Hz	PHASE	
VOLTS	POLES	
BRGS.	DE.	NDE.
MOTOR NETT WT.	Kg.	
SPECIAL REMARKS		

ALL DIMENSIONS IN MILLIMETRES



**BROOK CROMPTON**

Huddersfield, HD1 3LJ  
 ENGLAND

SHEET TITLE  
 SIZE A3 OUTLINE DIMENSION DRAWING 'W' ALUMINIUM TOTALLY ENCLOSED FAN COOLED  
 71S FRAME FOOT MOUNTED MOTOR.

	NAME	DATE
DRAWN	DJR	4-9-95
CHECKED	RS	4-9-95
SCALE	1:2	

DRG. No.	D71GF000/1	
DRG. REF.		
REVISION:	VLS	DATE 20-08-02